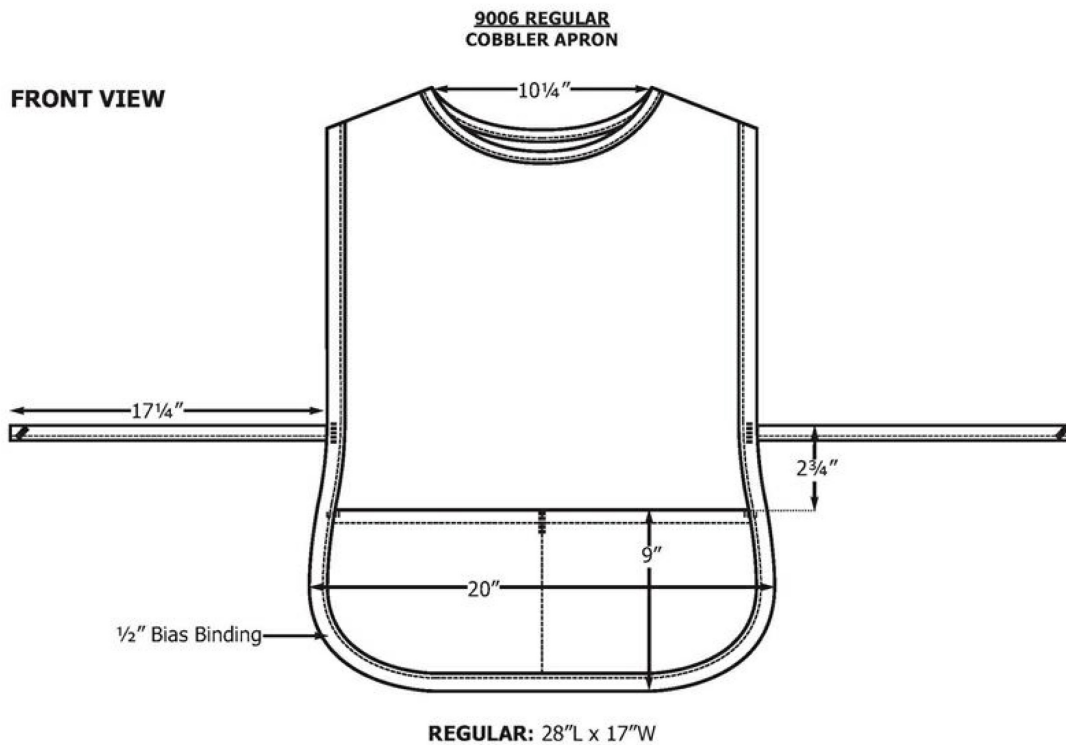




COBBLER APRON #9006

- 65% Polyester/35% Cotton twill; 7 oz.wt.
- Cobbler apron; divided pocket
- Side tie closure
- Machine washable
- Regular measures: 28" L X 17" W
- Tall measures: 31 1/2" L X 17 3/4" W

PRODUCT MEASUREMENTS



007 Navy
19-4010 TCX



010 Black
19-4008 TCX



012 Red
19-1761 TCX



015 Khaki
17-1019 TCX



041 Royal
19-4057 TCX



063 Wine
19-1724 TCX



084 Hunter
19-5232 TCX